



**EP631S**

**V400R005C00**

## **Quick Guide**

**Issue 02**

**Date 2018-05-08**

**Copyright © Huawei Technologies Co., Ltd. 2018. All rights reserved.**

No part of this document may be reproduced or transmitted in any form or by any means without prior written consent of Huawei Technologies Co., Ltd.

## **Trademarks and Permissions**



HUAWEI and other Huawei trademarks are trademarks of Huawei Technologies Co., Ltd.

All other trademarks and trade names mentioned in this document are the property of their respective holders.

## **Notice**

The purchased products, services and features are stipulated by the contract made between Huawei and the customer. All or part of the products, services and features described in this document may not be within the purchase scope or the usage scope. Unless otherwise specified in the contract, all statements, information, and recommendations in this document are provided "AS IS" without warranties, guarantees or representations of any kind, either express or implied.

The information in this document is subject to change without notice. Every effort has been made in the preparation of this document to ensure accuracy of the contents, but all statements, information, and recommendations in this document do not constitute a warranty of any kind, express or implied.

## **Huawei Technologies Co., Ltd.**

Address: Huawei Industrial Base  
Bantian, Longgang  
Shenzhen 518129  
People's Republic of China

Website: <http://www.huawei.com>

Email: [support@huawei.com](mailto:support@huawei.com)

---

# Contents

---

<b>1 Safety Information.....</b>	<b>1</b>
<b>2 Appearance.....</b>	<b>4</b>
<b>3 Installation and Use.....</b>	<b>8</b>
3.1 Attaching the Antenna.....	8
3.2 Installing the Battery.....	9
3.3 Installing the Back Clip.....	10
3.4 Attaching the Strap.....	11
3.5 Charging the Battery and the Phone.....	12
3.6 Installing an SIM Card.....	13
3.7 Powering On and Powering Off.....	14
3.8 Indicator Status.....	14
3.9 Others.....	15

---

# 1 Safety Information

---

This section contains important information pertaining to the operating instructions of your device. It also contains information about how to use the device safely. Read this information carefully before using your device.

## Medical Device

- Follow rules and regulations set forth by hospitals and health care facilities. Do not use your device when using the device is prohibited.
- Implantable medical devices, such as pacemakers, implanted cochleas, and hearing aids may be affected by radio waves generated by this device. If you are using such medical devices, consult their manufacturers for related restrictions. Pacemaker manufacturers recommend that a minimum distance of 15 cm be maintained between your device and a pacemaker to prevent potential interference with the pacemaker. If you are using a pacemaker, use the device on the opposite side of the pacemaker and do not carry the device in your front pocket.

## Prevention of Hearing Damage

Using a headset at high volume can damage your hearing. To reduce the risk of damage to hearing, lower the headset volume to a safe and comfortable level.

## Safety of Children

Comply with all precautions with regard to children's safety. Letting the child play with your device or its accessories, which may include parts that can be detached from the device, may be dangerous, as it may present a choking hazard. Ensure that children are kept away from the device and accessories.

## Potentially Explosive Atmosphere

- Power off your device in any area with a potentially explosive atmosphere, and comply with all signs and instructions. Triggering of sparks in such areas could cause an explosion or a fire, resulting in bodily injuries or even deaths. Do not power on your device at refueling points such as service stations.
- Comply with restrictions on the use of radio equipment in fuel depots, storage, and distribution areas, and chemical plants. In addition, adhere to restrictions in areas where blasting operations are in progress. Before using the device, watch out for areas that have

potentially explosive atmospheres that are often, but not always, clearly marked. Such locations include areas below the deck on boats, chemical transfer or storage facilities, and areas where the air contains chemicals or particles such as grain, dust, or metal powders. Ask the manufacturers of vehicles using liquefied petroleum gas (such as propane or butane) whether this device can be safely used in their vicinity. Do not store or transport the device and accessories in the same container as combustible or explosive gas, liquid or materials.

## Traffic Security

Do not use your device while flying in an aircraft. Power off your device before boarding an aircraft. Using wireless devices in an aircraft may cause danger to the operation of the aircraft and interrupt the wireless telephone network. It may also be considered illegal.

## Operating Environment

- Do not use or charge the device in dusty, damp, and dirty places or places with magnetic fields. Otherwise, it may result in a malfunction of the circuit.
- On a stormy day with thunder, do not use your device to prevent any danger caused by lightning.
- Power off your device if using the device is prohibited.
- If the ambient temperature is over high or low, the device may be faulty.

## Disposal and Recycling Information

The device (and any included batteries and accessories) should not be disposed of as normal household garbage. Local laws and regulations on the disposal and recycle of such objects should be followed.

## Accessories

Use ONLY original batteries, chargers, and accessories supplied by the device manufacturer. The use of any other type of battery, charger, or accessory may invalidate any warranty for the device, may be in violation of local rules or laws, and may be dangerous.

## Battery and Charger

- Use ONLY the original charger to charge the battery and equipment.
- Unplug the charger from the electrical plug and the device when not in use.
- Do not connect two poles of the battery with conductors, such as metal materials, keys, or jewelries. Otherwise, the battery may be short-circuited and may cause burns and other bodily injuries.
- Do not place the battery or device near any heating device, such as a microwave oven, an oven, or a radiator. Battery overheat may result in a fire, explosion or other hazard.
- Do not modify or remanufacture, attempt to insert foreign objects into the battery, immerse or expose it to water or other liquids, Otherwise, it may lead to battery leakage, overheat, fire or explosion.
- If battery electrolyte leaks out, ensure that the electrolyte does not touch your skin or eyes. If the electrolyte touches your skin or splashes into your eyes, wash your eyes and skin with clean water immediately and consult a doctor.

- If there is a case of deformation, color change, or abnormal heating while the battery is being used, charged or stored, remove the battery immediately and replace it. Otherwise, it may lead to battery leakage, overheating, explosion, or fire.
- If the power cable is damaged, or the plug loosens, stop using the cable at once. Otherwise, it may lead to an electric shock, a short circuit of the charger, or a fire.
- Do not dispose of batteries in fire as they may explode. Batteries may also explode if damaged.

## Cleaning and Maintenance

- Keep the device and accessories dry. Do not use microwave oven or other heaters to dry the device.
- Do not place your device, battery, and charger in places where they can get damaged because of collision. Otherwise, it may lead to battery leakage, device malfunction, overheating, fire, or explosion.
- Do not leave your device, battery, and charger in a place with an extreme high or low temperature. Otherwise, they may become faulty, and fire or explosion may be caused.
- Do not place sharp metal objects such as pins near the earpiece. The earpiece may attract these objects and hurt you when you are using the device.
- Do not use any strong chemical detergent, powder, or other chemical agents (such as alcohol and benzene) to clean the device and the charger. Otherwise, parts of the device may be damaged or a fire can be caused. You can clean the device and the charger with a piece of damp and soft antistatic cloth. Power off the device before cleaning or maintenance, and disconnect the charger from the device. Secure the headset slot cover, interface cover, and battery cover.
- Do not dismantle the device or accessories. Otherwise, the warranty on the device and accessories is invalid and the manufacturer is not liable to pay for the damage.
- If the device screen is broken by colliding with hard objects, do not touch or try to remove the broken part. In this case, stop using the device immediately, and then contact an authorized service center in time.
- Avoid dropping, knocking, or vibrating the device. Otherwise, the internal circuit and structure may be damaged. If the device or battery is dropped, especially on a hard surface, and the user suspects damage, contact the device manufacturer.
- Keep the headset jack plug, port plug and battery cover installed tightly.
- Clear the water from the surface and loudspeaker of the device if it is exposed to water.

## Specific Absorption Rate

The maximum Specific Absorption Rate (SAR) of this device is 1.6 watts/kilogram (W/kg).

## Others

The functions of Wireless Access Systems including Radio Local Area Networks (WAS/RLANs) within the band 5150-5350 MHz for this device are restricted to indoor use only within all European Union countries (BE/BG/CZ/DK/DE/EE/IE/EL/ES/FR/HR/IT/CY/LV/LT/LU/HU/MT/NL/AT/PL/PT/RO/SI/SK/FI/SE/UK/TR/NO/CH/IS/LI).

# 2 Appearance

## Phone Body

Figure 2-1 shows the phone body of an EP631S.

Figure 2-1 Phone body of an EP631S

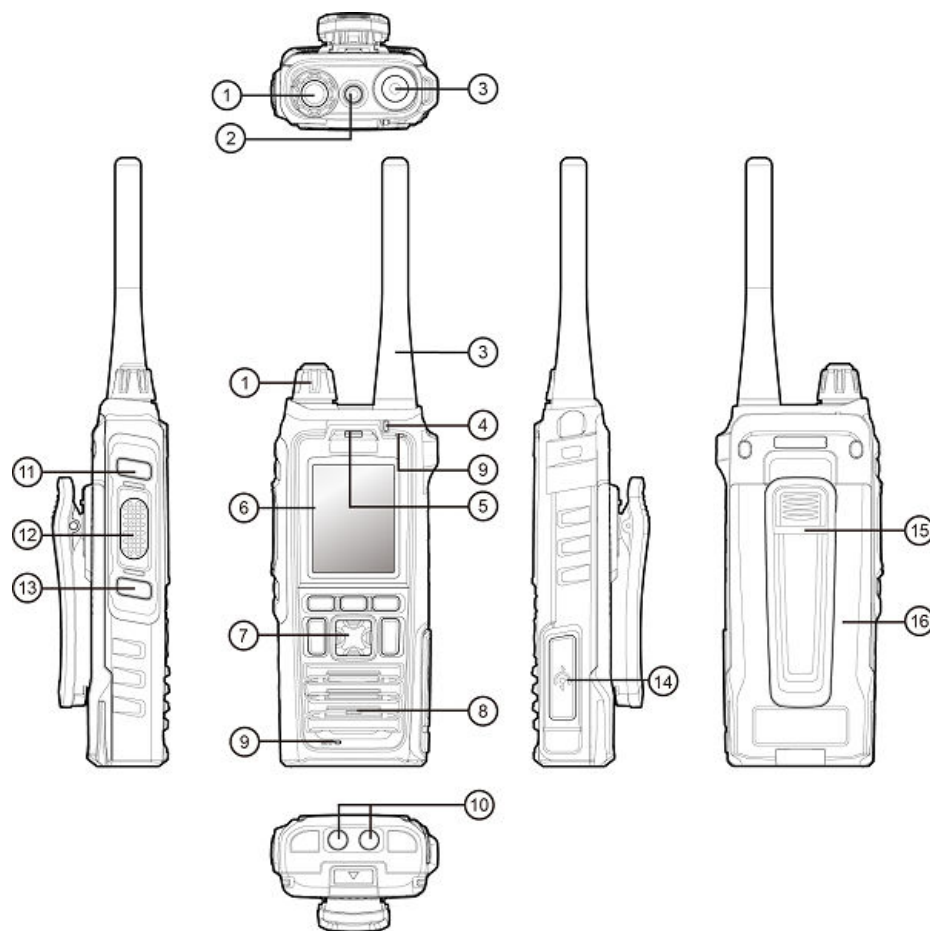


Table 2-1 describes the components on the phone body of the EP631S.

**Table 2-1** Components on the phone body of an EP631S

Number	Name	Description
1	Group button	<ul style="list-style-type: none"> <li>● In trunking mode, press to display the fast group switch list.</li> <li>● On the fast group switch list, press to join the selected group.</li> </ul>
	Speaker knob	<ul style="list-style-type: none"> <li>● Controls the ringing volume, and turns off the ringtone of an incoming call.</li> <li>● Controls the earpiece volume of an ongoing call or multimedia playback.</li> <li>● Moves the cursor up/down on the fast group switch list.</li> </ul>
2	Emergency mode call key	<ul style="list-style-type: none"> <li>● When your phone is powered off , hold down the key to enter the emergency mode call.</li> <li>● When your phone is in standby state, hold down the key to enter the emergency mode call. You can wake up a dormant EP631S by pressing the key.</li> </ul>
3	LTE antenna interface	—
4	Indicator	—
5	Earpiece	—
6	Screen	—
7	Key	For details, see <a href="#">Figure 2-2</a> .
8	Speaker	—
9	Microphone	An EP631S has two MICs. The one on the lower left corner of the phone body is the primary MIC; the one on the upper right corner is the secondary MIC.
10	Charger connection point	—
11	Function key up	Custom function key. By default, this key is a shortcut to the mute function.
12	PTT call button	This button is used for a PTT call.
13	Function key down	Custom function key. By default, this key is a shortcut to turn off screen light.
14	Multifunctional interface	The High Definition Multimedia Interface (HDMI) can be connected with a data cable for battery charging or connected to other accessories. A locking component is attached to the interface for securing connections



Number	Name	Description
15	Back clip	—
16	Battery	—

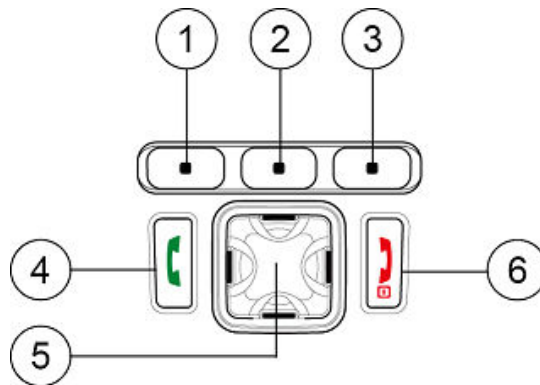
 **NOTE**

Functions of the keys vary depending on the setting on the network side and the software version.

## Keypad

**Figure 2-2** shows the keypad of an EP631S. **Table 2-2** describes the keys on the keypad.

**Figure 2-2** Keypad of an EP631S



**Table 2-2** Keys on the keypad

Number	Name	Description
1	Left softkey	Used for screen display functions.
2	Center softkey	Used for screen display functions.
3	Right softkey	Used for screen display functions.
4	Call key	It is also called the Green key. <ul style="list-style-type: none"> <li>● Press to answer a call.</li> <li>● Press to display the call record. Select a record and press to make a Point To Point (PTP) voice call.</li> </ul>
5	Navigation key	<ul style="list-style-type: none"> <li>● Press to control up/down, or left/right.</li> <li>● Set as the hot key to enter the application quickly.</li> </ul>

Number	Name	Description
6	End key	<p>It is also called the Red key or Power key.</p> <ul style="list-style-type: none"><li>● When an EP631S is off, hold down to power on the EP631S, and hold down for ten seconds to restart the phone.</li><li>● When an EP631S is in non-sleep mode, hold down to power off the EP631S.</li><li>● When an EP631S is in sleep mode, press to turn on screen light.</li><li>● Press to end a PTP call.</li><li>● Press to return to the standby screen.</li><li>● Do not press this key simultaneously with other keys.</li></ul>

# 3 Installation and Use

---

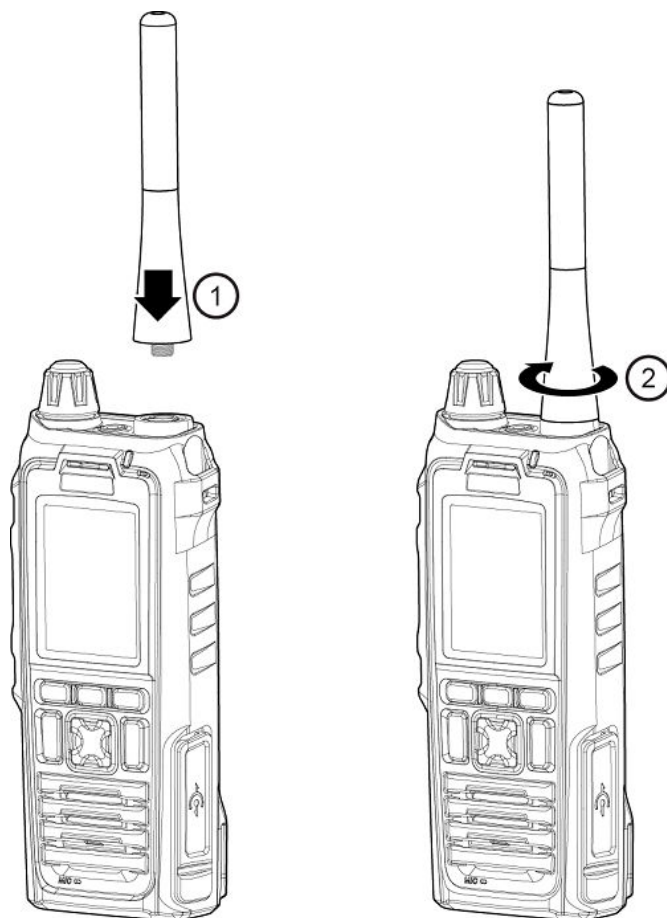
## About This Chapter

- 3.1 Attaching the Antenna
- 3.2 Installing the Battery
- 3.3 Installing the Back Clip
- 3.4 Attaching the Strap
- 3.5 Charging the Battery and the Phone
- 3.6 Installing an SIM Card
- 3.7 Powering On and Powering Off
- 3.8 Indicator Status
- 3.9 Others

## 3.1 Attaching the Antenna

**Figure 3-1** illustrates how to attach the antenna of an EP631S.

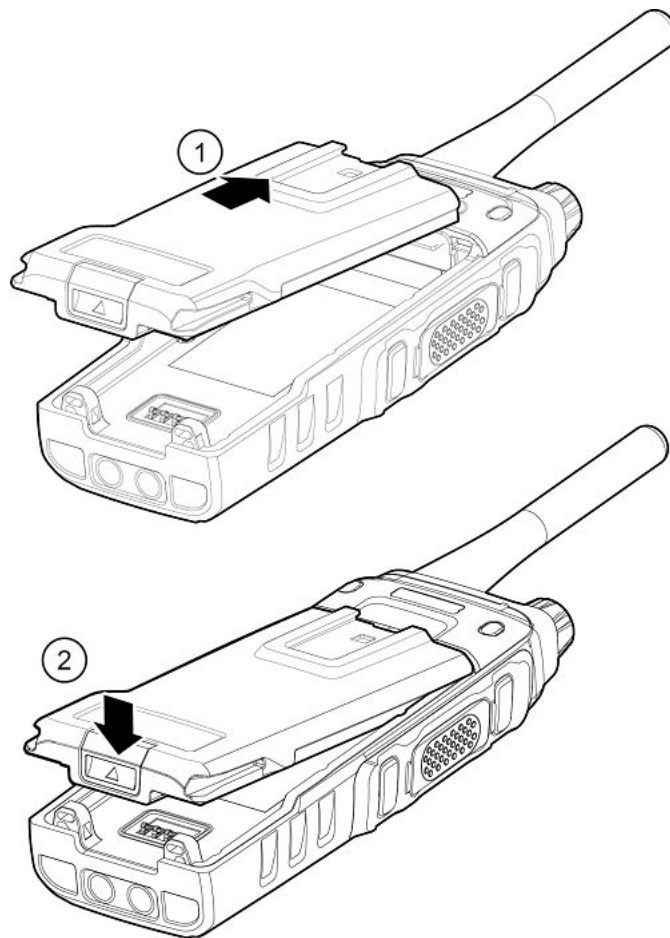
**Figure 3-1** Attaching the antenna of an EP631S



## 3.2 Installing the Battery

**Figure 3-2** illustrates how to install the battery of an EP631S.

**Figure 3-2** Installing the battery of an EP631S

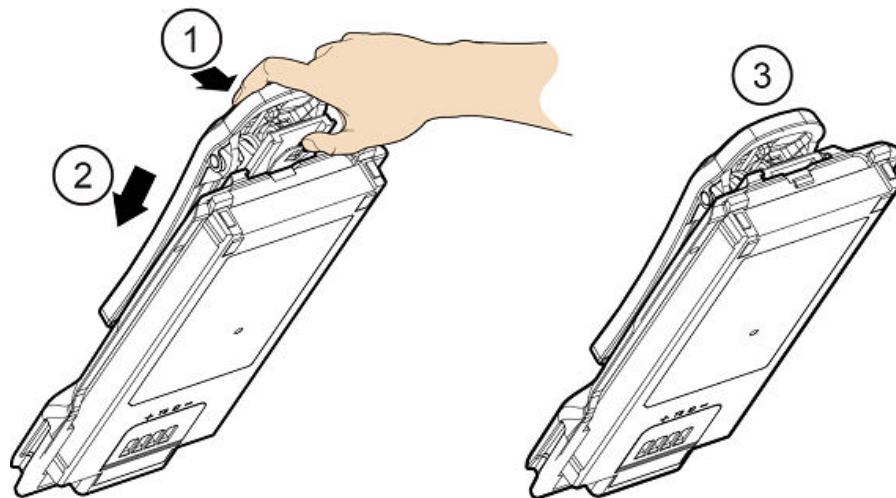


### 3.3 Installing the Back Clip

If a back clip is required, install the back clip on a battery, and then install the battery on a phone.

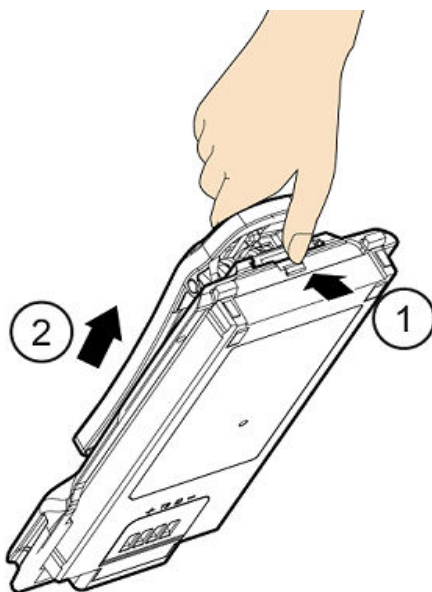
**Figure 3-3** illustrates how to install the back clip of an EP631S.

**Figure 3-3** Installing the back clip of an EP631S



**Figure 3-4** shows how to remove the back clip from an EP631S.

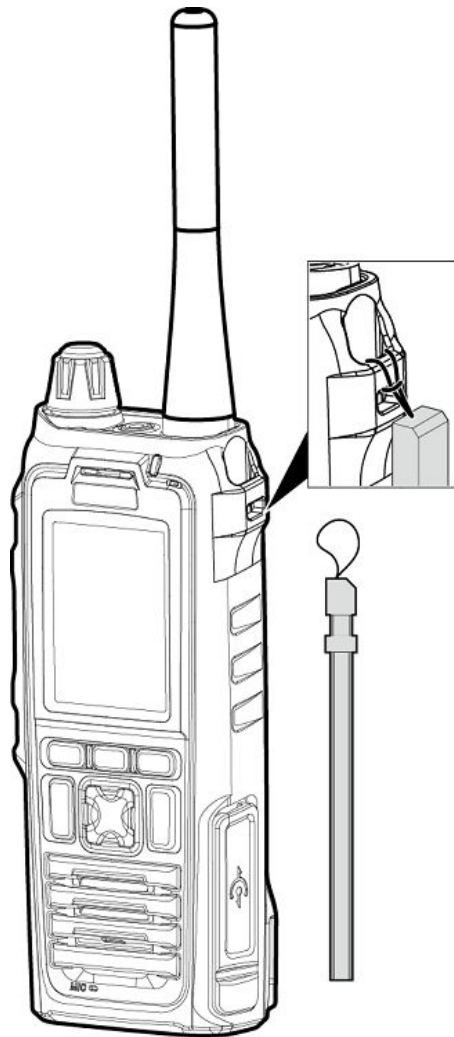
**Figure 3-4** Removing the back clip of an EP631S



## 3.4 Attaching the Strap

**Figure 3-5** illustrates how to attach the strap of an EP631S.

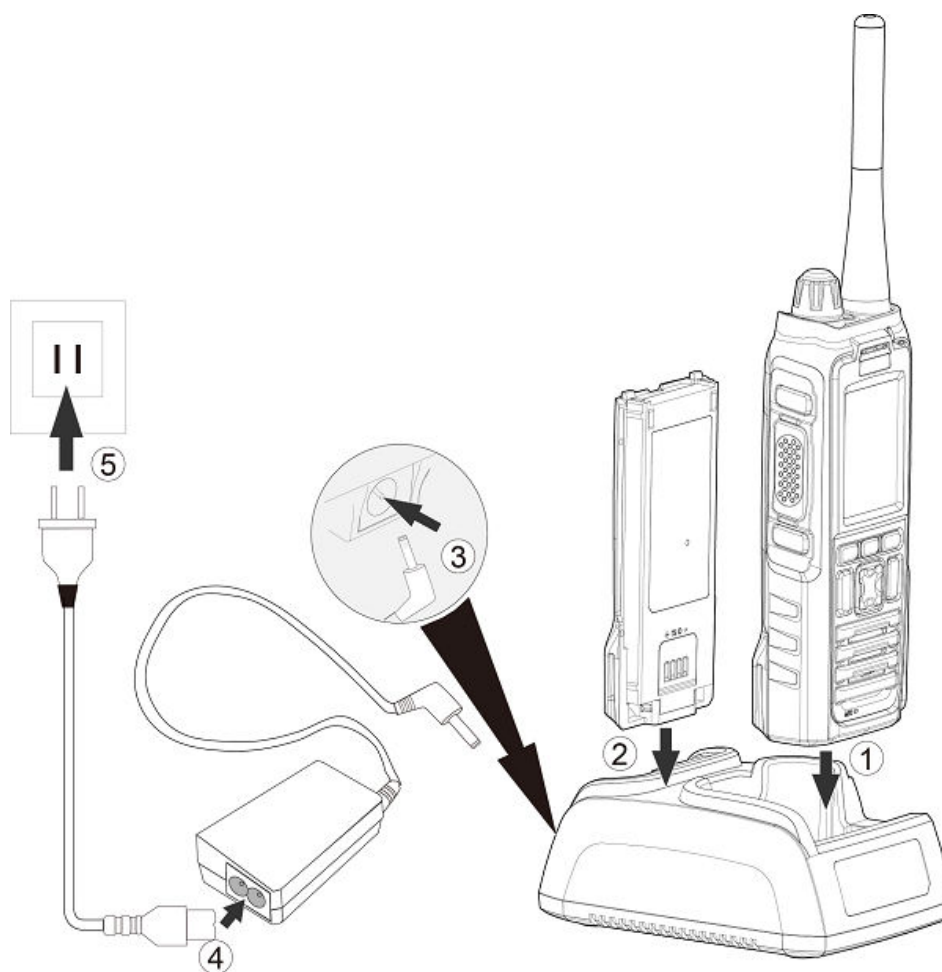
**Figure 3-5** Attaching the strap of an EP631S



## 3.5 Charging the Battery and the Phone

**Figure 3-6** illustrates how to charge an EP631S and its battery using a charger.

**Figure 3-6** Charging using the charger



**NOTE**

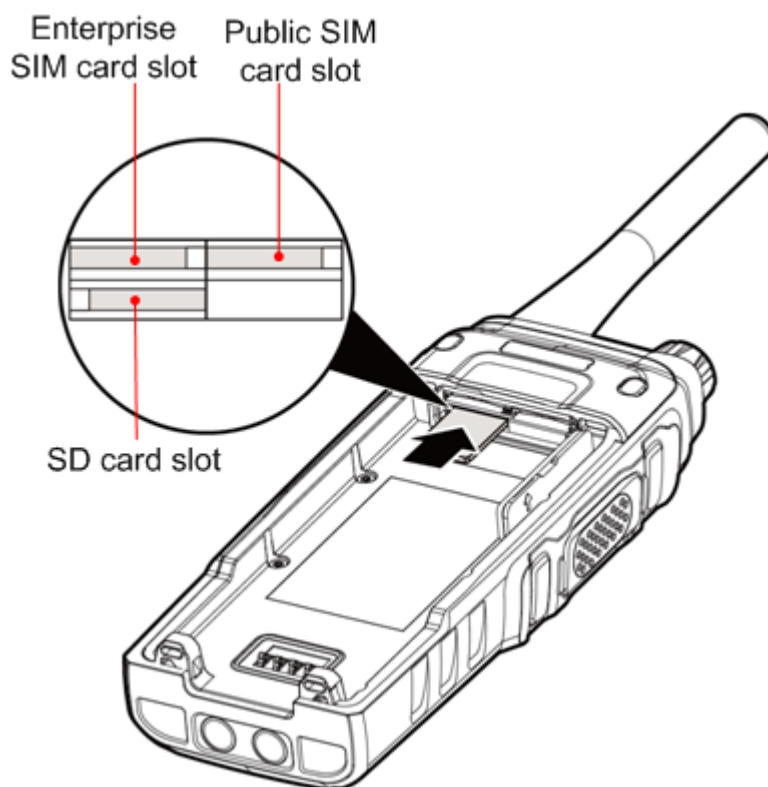
- Power cables and power plugs vary with power supply standards. The power plugs in preceding figure are for reference only
- To prolong the battery lifespan, charge the battery regularly. Charge the battery at least once per three months. Otherwise, the battery will be damaged.

## 3.6 Installing an SIM Card

**Figure 3-7** illustrates how to install a SIM card on an EP631S. Before installing a SIM card, open the battery cover and remove the battery.



**Figure 3-7** Inserting an SIM card




## 3.7 Powering On and Powering Off

### Powering On

When an EP631S is off, hold down  to power on the EP631S.

### Powering Off

When an EP631S is on, hold down  to power off EP631S.

## 3.8 Indicator Status

**Table 3-1** describes the relationship between the indicator and working status of the EP631S.

**Table 3-2** describes the relationship between the indicator and charging status of the charger.

**Table 3-1** EP631S indicator and working statuses

Indicator Status	Working Status
Off	Running properly

Indicator Status	Working Status
Blinking red slowly	Low battery level (< 10%)
	Out of network service areas
Steady red	Charging in progress
	Video surveillance or video sending in progress
Blinking green slowly	Receiving a call
	Unread message or missed calls
Steady green	The floor is obtained and a call can be initiated.
	Charging complete (battery level > 90%)

**Table 3-2** EP631S charger indicator and charging statuses

Indicator	Charger Indicator Status	Charging Status
Phone-like indicator	Steady green	Charging in progress
	Steady green	Fully charged
	Steady red	Standby
	Blinking red (blinking three times per second)	Faulty
Battery-like indicator	Blinking green slowly (blinking once per second)	Charging in progress
	Steady green	Fully charged
	Steady red	Standby
	Blinking red (blinking three times per second)	Faulty

## 3.9 Others

For more information, see *EP631S User Guide*.