

EG8120L5

Quick Start

Issue 02
Date 2019-09-10



Copyright © Huawei Technologies Co., Ltd. 2019. All rights reserved.

No part of this document may be reproduced or transmitted in any form or by any means without prior written consent of Huawei Technologies Co., Ltd.

Trademarks and Permissions



HUAWEI and other Huawei trademarks are trademarks of Huawei Technologies Co., Ltd.

All other trademarks and trade names mentioned in this document are the property of their respective holders.

Notice

The purchased products, services and features are stipulated by the contract made between Huawei and the customer. All or part of the products, services and features described in this document may not be within the purchase scope or the usage scope. Unless otherwise specified in the contract, all statements, information, and recommendations in this document are provided "AS IS" without warranties, guarantees or representations of any kind, either express or implied.

The information in this document is subject to change without notice. Every effort has been made in the preparation of this document to ensure accuracy of the contents, but all statements, information, and recommendations in this document do not constitute a warranty of any kind, express or implied.

Huawei Technologies Co., Ltd.

Address: Huawei Industrial Base
Bantian, Longgang
Shenzhen 518129
People's Republic of China

Website: <http://www.huawei.com>

Email: support@huawei.com

Contents

1 Placing the Device.....	1
2 Connecting Cables.....	3
3 Indicator Description.....	5
4 Technical Specifications.....	7
5 FAQs.....	8

1 Placing the Device

 **NOTE**

- Do not install the ONT outdoors or in an outdoor cabinet.
- The ONT can be mounted onto a wall or placed on a desk. Do not install the ONT in other modes, such as ceiling.
- Keep 10 cm clearance on all sides to ensure adequate ventilation.
- It is recommended that the computer and ONT be put far away from electric appliances that generate strong magnetic or electric fields, such as microwave ovens.

Mounting an ONT on the desk

The figure below shows an ONT that is horizontally placed on a desk.

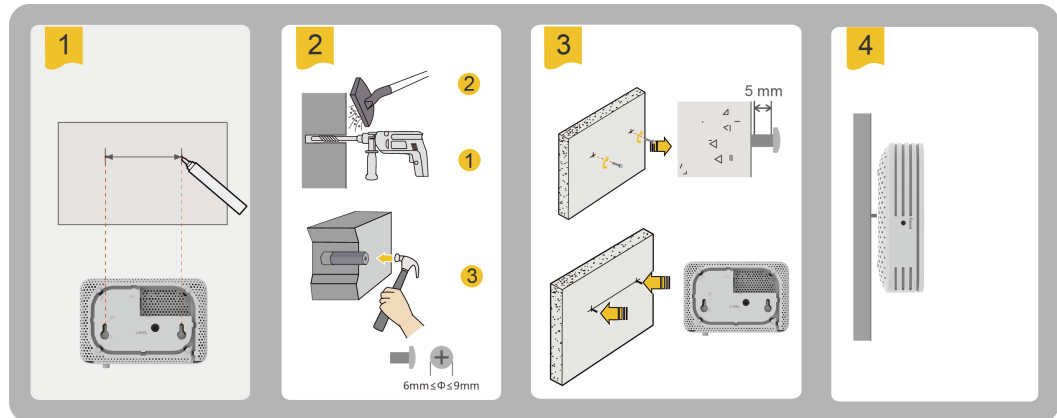


 **NOTE**

The appearance shown in this document may be different from the actual appearance of the product. The actual product prevails.

Mounting an ONT onto the wall

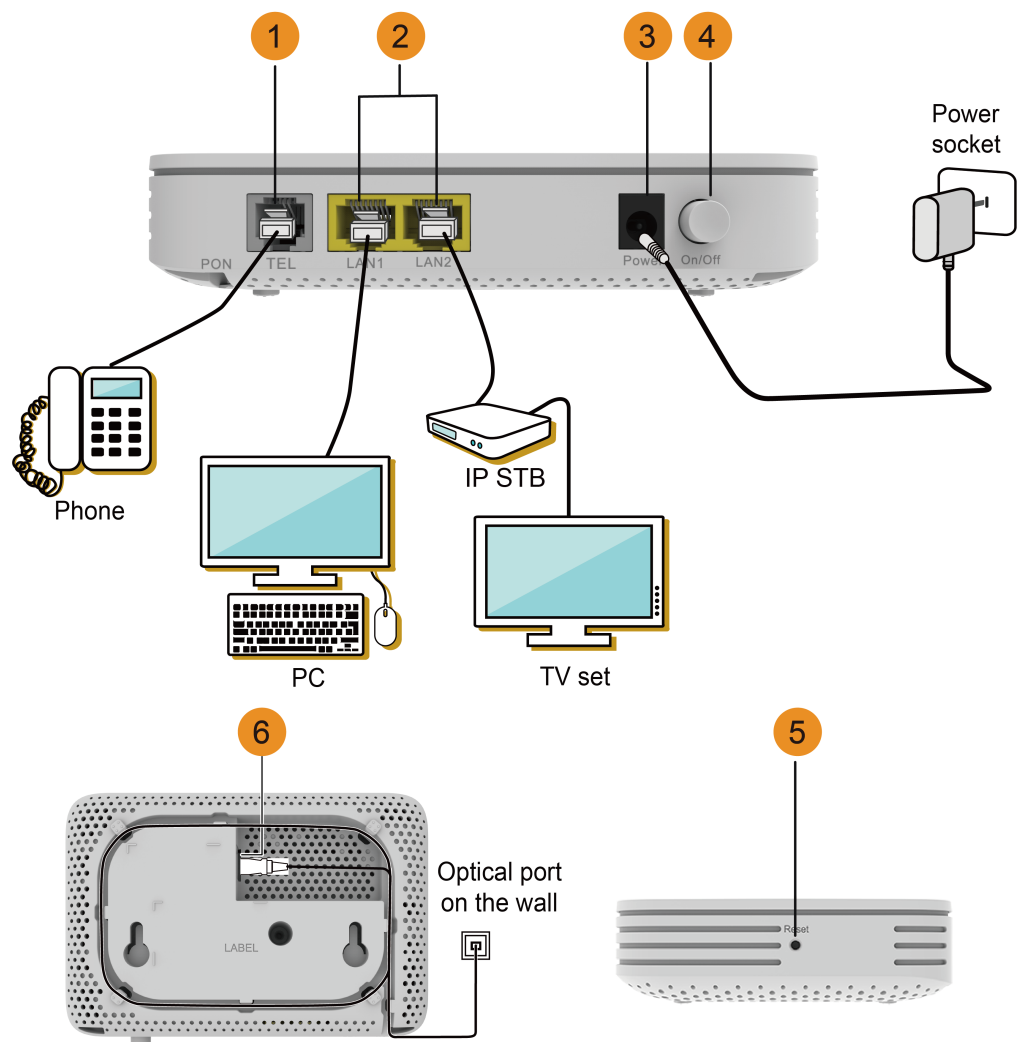
1. Mark two positions with the same spacing as that between the two mounting holes of the ONT using a marker on a wall.
2. Select a proper drill bit according to the outer diameter of the screws. Use a hammer drill to drill the marked positions on the wall. Then clean the holes and install two expansion bolts.
3. Use a screwdriver to fasten the screws into the expansion bolts, reserving 5 mm ends out of the wall, and mount the ONT onto the screws.



NOTE

It is recommended that the screw be about 4 mm in diameter and longer than 20 mm.

2 Connecting Cables



NOTE

- The fiber connector connected to the optical port on the wall varies depending on actual conditions.
- To ensure normal use of fibers, make sure that the fiber bending radius is larger than 30 mm.

No.	Item	Description
1	TEL	Connects to the port on a telephone or fax machine.
2	LAN1-LAN2	Connects to PCs or IP set-top boxes (STBs).
3	Power	Connects to a power adapter.
4	On/Off	Powers the ONT on or off.
5	Reset	<p>Press the button for a short time to reset the device; or press the button for a long time (longer than 10s) to restore the device to the default settings and reset the device.</p> <p>NOTE Reset Huawei ONTs with caution. Otherwise, the ONTs may fail to access the Internet. If an ONT cannot access the Internet after a reset, contact your Internet service provider.</p>
6	Optical port	<p>The optical port is equipped with a rubber plug and connected to a fiber for upstream transmission.</p> <p>The type of the optical connector connected to the optical port can be SC/APC.</p>

3 Indicator Description



Indicator	Status	Description
Power	Steady on	The ONT is powered on.
	Off	The power supply is cut off.
PON/LOS	See the following table.	
LAN1- LAN2	Steady on	The Ethernet connection is in the normal state.
	Blinking	Data is being transmitted over the Ethernet port.
	Off	The Ethernet connection is not set up.
TEL	Steady on	The ONT is registered with the softswitch but no service flows are transmitted.
	Blinks twice a second	The ONT is registered with the softswitch, and data is being transmitted on the port.
	Blinks once every 2 seconds	The ONT fails to be registered with the softswitch.
	Off	The POTS port is disabled.

Status No.	PON Status	LOS Status	Description
1	Off	Off	The ONT is prohibited by the upper-layer device or blinks abnormally. Contact the service provider for help.
2	Blinks twice a second	Blinks twice a second	

Status No.	PON Status	LOS Status	Description
3	Blinks twice a second	Off	The ONT attempts to set up a connection with its upper-layer device.
4	Steady on	Off	A connection is set up between the ONT and its upper-layer device.
5	Off	Blinks once every 2 seconds	The ONT is not connected to fibers or does not receive optical signals.
6	Blinks once every 2 seconds	Blinks once every 2 seconds	The hardware is faulty.

4 Technical Specifications

Product	Function
EG8120L5	<ul style="list-style-type: none">● 2 Ethernet ports (1*GE+1*FE)● 1 POTS port

- Power adapter input: See the nameplate on the adapter.
- System power supply: See the nameplate on the device.
- Ambient temperature: 0°C to +40°C
- Ambient humidity: 5% - 95% (non-condensing)
- Dimensions (H x W x D): 145 mm x 97 mm x 32 mm
- Weight: About 145 g
- Maximum system power consumption: 5 W

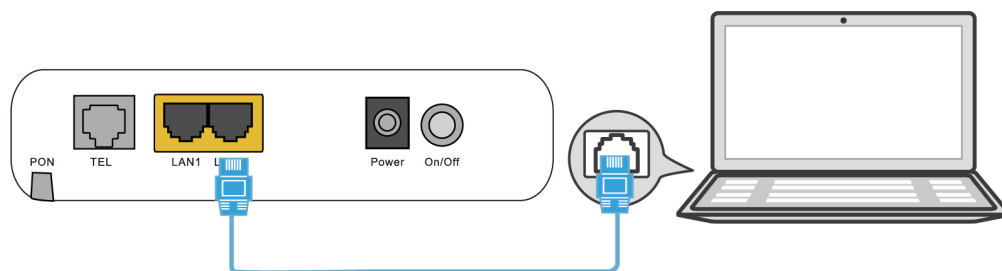
5 FAQs

 **NOTE**

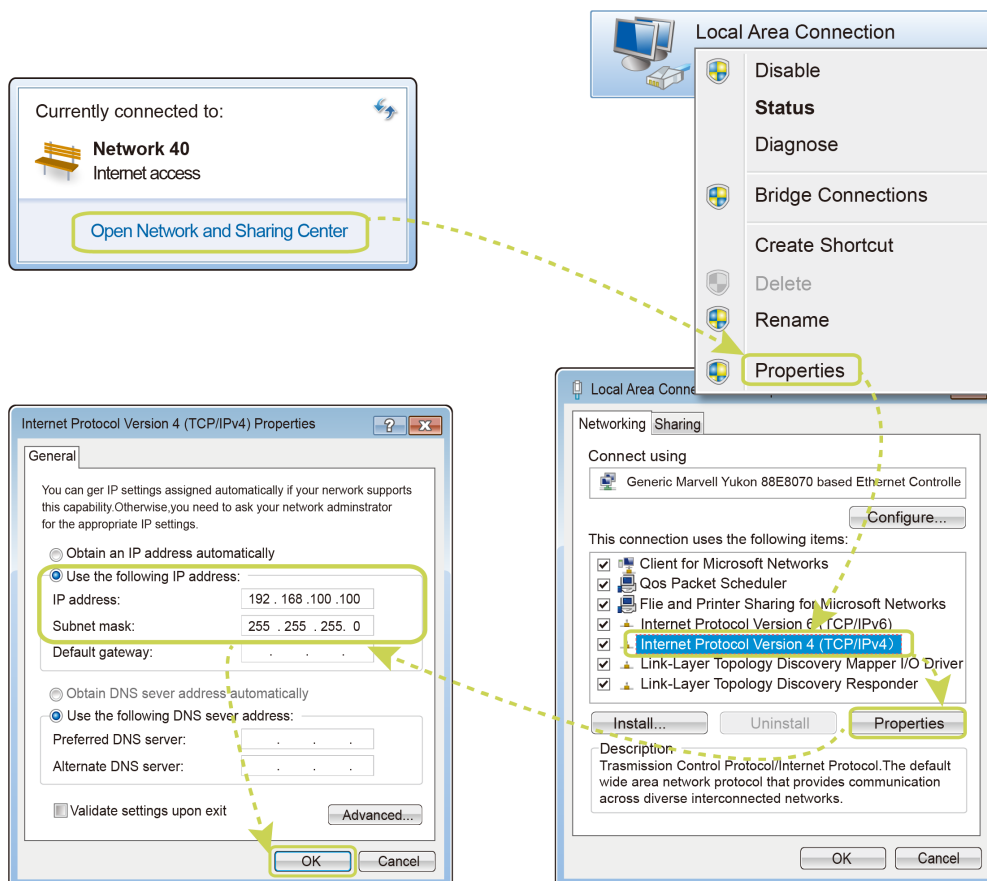
The following web page is only for reference. The actual web page of the product prevails.

How do I log in to the Huawei ONT web page?

1. Use a network cable to connect a PC to the Huawei ONT.



2. Set the IP address of the PC in the same subnet as the web address of the Huawei ONT.
For example, if the web address of the Huawei ONT is 192.168.100.1 (for the web address of the Huawei ONT, see the product nameplate), set the IP address of the PC to 192.168.100.100.



NOTE

The preceding cable connection diagram and login pages are only for reference, and those of the actual product prevail.

3. Log in to the web configuration page.
 - a. Open a browser. In the address box, enter the web address (printed on the nameplate of the Huawei ONT). Press **Enter**.
 - b. Enter the login user name and password (printed on the nameplate of the Huawei ONT). Click **Log In**.

NOTE

- If you do not perform any operations after logging in to the system within five minutes, you will be logged out, and the system automatically returns to the login interface.
- The system will be locked for one minute if you input incorrect user name and password for three consecutive times.
- Change the initial password after logging in to the web page for the first time.

The phone does not ring upon an incoming call but communication is in normal state when the phone is in off-hook state.

- The ONT supports a maximum of 60 V AC ringing current voltage. Check whether the ringing current voltage of the phone is higher than 60 V AC. If it is higher than 60 V AC, replace the phone.

How do I restore the Huawei ONT to factory setting?

Press **Reset** by using a needle-type object for longer than 10s to restore factory defaults and reset the Huawei ONT. If the indicator is off and then is lit, the system restarts successfully.

NOTE

Exercise caution when restoring factory settings. This function may cause the loss of ONT configuration information and further cause an Internet access failure. If this problem occurs, contact your service provider for help.

What can I do if the network speed is slow?

1. Check whether network cables are properly connected. Remove and then insert the network cables. Then, check whether the network speed is normal.
2. Check whether downloading, network video watching, or other operations occupy a large amount of bandwidth. Due to bandwidth restrictions, if some network applications occupy a large amount of network bandwidth, the network speed is slow.
3. Use another PC to check whether the network speed is normal.

How can I download Huawei ONT firmware or ONT software?

Huawei ONT is used with an OLT and NMS of a required version. If the versions are not the required ones, the ONT may not work.

If required, contact your internet service provider to obtain the correct ONT firmware or software.